

## Features

- ✧ Providing one CAN interface with photoelectric isolation.
- ✧ Suitable for bus topology and star topology networks.

## Description

- ✧ P-9965 is an optional card for GST-IFP8 series control panels, providing one photoelectric isolation CAN interface for bus topology and star topology networks.
- ✧ Main board com HL2 LED: Red. It flashes when communicates with main board normally.
- ✧ CAN network com HL1 LED: Green. It flashes when communicates with CAN network.
- ✧ In CAN network made of those cards, each of CAN loop shouldn't exceed 3000m in all, nodes shouldn't exceed 112, supporting the network of maximum 240 GST series control panels.

## Connection & Wiring

The bus topology network connection is shown in Fig. 1. P-9965 can be inserted into the first slot (counted from the bottom) of Loop Board on the motherboard.

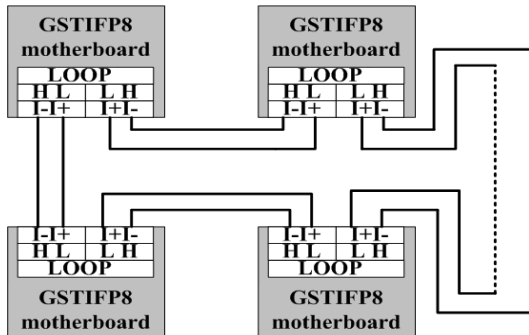


Fig. 1

The star topology network connection is shown in Fig. 1

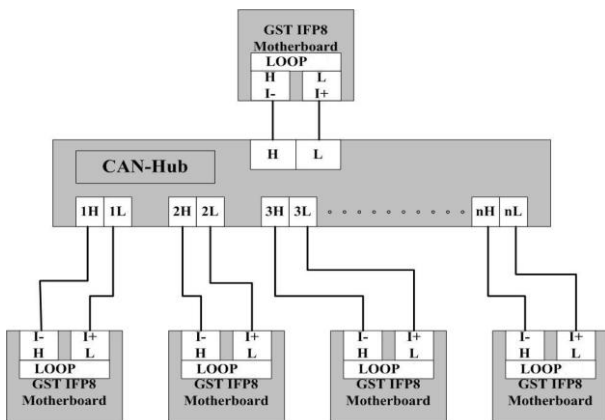
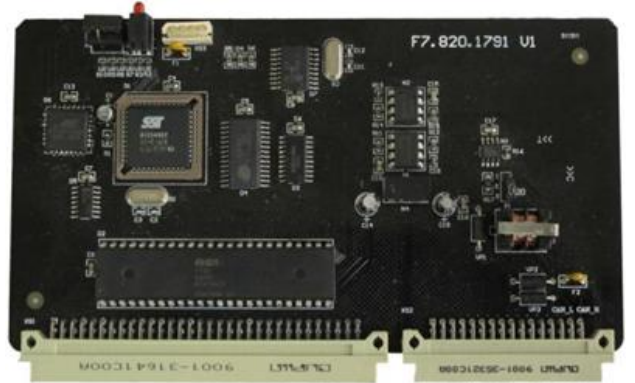


Fig. 2



## Installation

The mounting of the card is shown in Fig. 3.

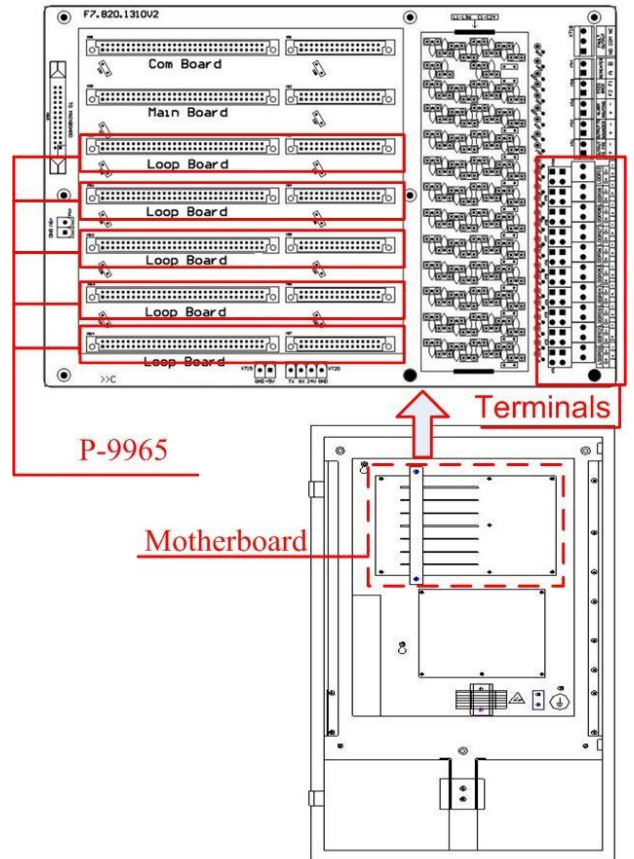


Fig. 3

## Application

P-9965 CAN Network Card should be fixed in the slot of Loop Board on the motherboard. These cards form ring network through twisted pair.

## Specification

Com. Interface	CAN interface
Com. Distance	less than 3000m
Network Capacity	Maximum 240 GST series control panels for networking.
Transmission Medium	1.0 mm <sup>2</sup> or above twisted pair, shielded twisted pair is recommended.
Baud Rate	10Kbps
Ambient Temperature	0°C ~ +40°C
Relative Humidity	≤95%, non condensing

## WEEE Information



2012/19/EU (WEEE directive): Products marked with this symbol cannot be disposed of as unsorted municipal waste in the European Union. For proper recycling, return this product to your local supplier upon the purchase of equivalent new equipment, or dispose of it at designated collection points.

## Limited Warranty

**GST** warrants that the product will be free from defects in design, materials and workmanship during the warranty period. This warranty shall not apply to any product that is found to have been improperly installed or used in any way not in accordance with the instructions supplied with the product. Anybody, including the agents, distributors or employees, is not in the position to amend the contents of this warranty. Please contact your local distributor for products not covered by this warranty.

This Data Sheet is subject to change without notice. Please contact GST for more information or questions.

### **Gulf Security Technology Co., Ltd.**

No. 80, Changjiang East Road, QETDZ, Qinhuangdao, Hebei, P. R. China 066004

Tel: +86 (0) 335 8502434 Fax: +86 (0) 335 8502532

[service.gst@fs.utc.com](mailto:service.gst@fs.utc.com) [www.gst.com.cn](http://www.gst.com.cn)