

## Description

P-9911(J) is a telephone jack socket, normally located at various places. Common installation positioning is in the landing levels of all core stairwells and escape routes, although the exact positioning is the responsibility of the project designer. The person on site with a mobile handset may just plug & talk to the control center. The unit should be mounted in a suitable and dry location at about 1.5m from finished floor level.

## Installation

Structure schematic is shown as Fig. 1 and Fig. 2.

The jack socket can be installed with standard electronic back box, which the mounting hole distance is 60mm. Connect the cable to the terminals. There is no need addressing. Connections refer to GST-FT24 panel manual.

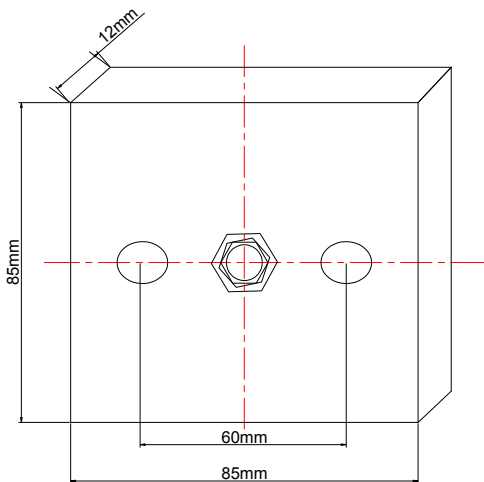


Fig. 1

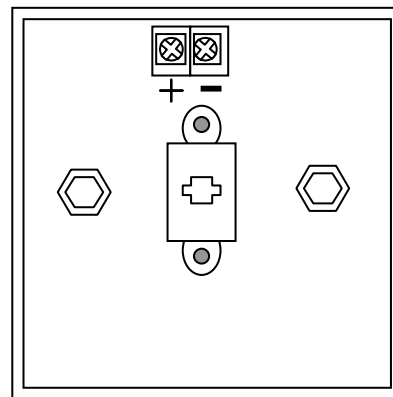


Fig. 2

## Specification

Dimension	85mmX85mmX12mm
Jack Diameter	6mm
Operating Environment	Temperature: -10°C to 50°C Humidity ≤ 95%, non condensing

## Limited Warranty

**GST** warrants that the product will be free from defects in design, materials and workmanship during the warranty period. This warranty shall not apply to any product that is found to have been improperly installed or used in any way not in accordance with the instructions supplied with the product. Anybody, including the agents, distributors or employees, is not in the position to amend the contents of this warranty. Please contact your local distributor for products not covered by this warranty.

This document is subject to change without notice. Please contact GST for more information or questions.

### **GST China** **Gulf Security Technology Co., Ltd.**

No. 80, Changjiang East Road,  
QETDZ, Qinhuangdao, Hebei,  
P. R. China 066004  
Tel: +86 (0) 335 8502528  
Fax: +86 (0) 335 8508942  
[sales@gst.com.cn](mailto:sales@gst.com.cn)  
[www.gst.com.cn](http://www.gst.com.cn)

### **GST UK** **Global System Technology PLC**

Lion Court, Staunton Harold Hall,  
Melbourne Road, Ashby de la Zouch,  
Leicestershire, England LE65 1RT  
Tel: +44 1283 225 478  
Fax: +44 1283 220 690  
[info@gst.uk.com](mailto:info@gst.uk.com)  
[www.gst.uk.com](http://www.gst.uk.com)

### **GST Dubai** **Global System Technology PLC**

PO Box 17998 Unit ZA04  
JEBEL ALI Free Zone,  
Dubai, UAE  
Tel: +971 (0) 4 8833050  
Fax: +971 (0) 4 8833053  
[info@gst.uk.com](mailto:info@gst.uk.com)  
[www.gst.uk.com](http://www.gst.uk.com)