

Description

P-9911(J) is a telephone jack socket, normally located at various places. Common installation positioning is in the landing levels of all core stairwells and escape routes, although the exact positioning is the responsibility of the project designer. The person on site with a mobile handset may just plug & talk to the control center. The unit should be mounted in a suitable and dry location at about 1.5m from finished floor level.

Installation

Structure schematic is shown as Fig. 1 and Fig. 2.

The jack socket can be installed with standard electronic back box, which the mounting hole distance is 60mm. Connect the cable to the terminals. There is no need addressing. Connections refer to GST-FT24 panel manual.

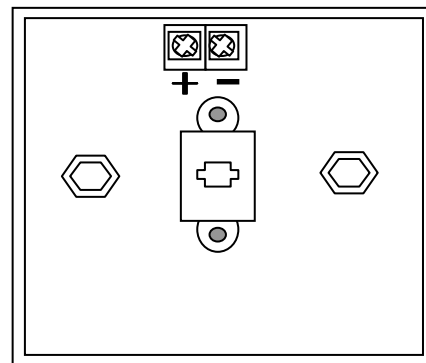


Fig. 2

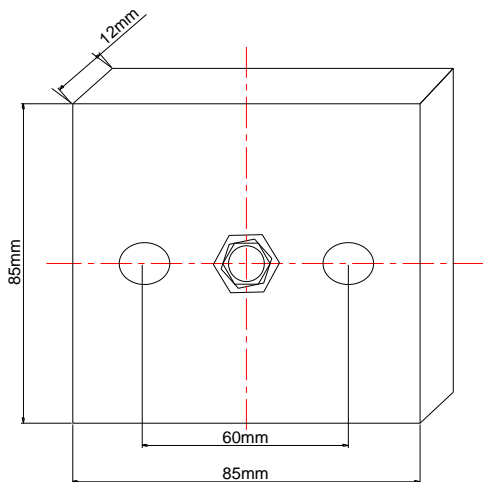


Fig. 1

Specification

Dimension	85mmX85mmX12mm
Jack Diameter	6mm
Operating Environment	Temperature: -10°C to 50°C Humidity ≤ 95%, non condensing

Limited Warranty

GST warrants that the product will be free from defects in design, materials and workmanship during the warranty period. This warranty shall not apply to any product that is found to have been improperly installed or used in any way not in accordance with the instructions supplied with the product. Anybody, including the agents, distributors or employees, is not in the position to amend the contents of this warranty. Please contact your local distributor for products not covered by this warranty.

This document is subject to change without notice. Please contact GST for more information or questions.

Gulf Security Technology Co., Ltd.

No. 80, Changjiang East Road, QETDZ, Qinhuangdao, Hebei, P. R. China 066004

Tel: +86 (0) 335 8502434 Fax: +86 (0) 335 8502532

service.gst@fs.utc.com www.gst.com.cn