

Features

- ✧ Providing two tones.
- ✧ Initiated by shorting external terminals, not affected by loop power cut.
- ✧ Polarity insensitive signal loop and power loop, with features of cable checking in case of power cut.
- ✧ Standard: EN 54-3.

Description

I-9404 Intelligent Sounder is a kind of audible alarm device initiated by control panel or manual call point in fire room or in the field. It can give audible alarm when applied to warn people in field.

The sounder can use shallow base with 25.5mm high or deep base with 40mm high, it employs deep base if there is no special statement in this manual.

Connection and Wiring

Terminals on the base are shown in Fig. 2.

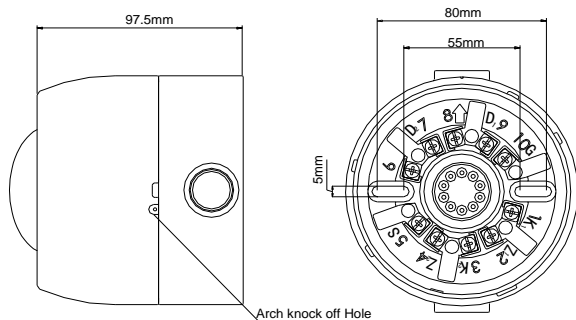


Fig. 1

Fig. 2

Z1(2), Z2(4): Signal loop of control panel, polarity insensitive.

D1 (9), D2 (7): To 24VDC power, polarity insensitive.

S(5), G(10): Controlled volt-free input.

Recommended Wiring

1.5mm² or above fire cable for D1, D2, S, and G.

1.0mm² or above fire cable for other terminals, subject to local codes.

Installation

✧ When the sounder is inside the wall, it can be mounted on the electrical box, using a shallow base or a deep base. When the sounder is on the surface of the wall, it should be mounted on the locations where it is 0.2m from the ceiling, using a deep base only. Knock the knock-off hole (Fig. 1), then connect with the cable conduit. When using a deep base, refer to Fig. 2 for hole spacing and direction, and Fig. 3a and Fig. 4 for its mounting method. When using a shallow base, the sounder has to be mounted in the wall, shown in Fig.3b.

✧ The base and the sounder are twisted together. When mounting, remove the sounder, thread cables through the cable entry in the base and connect with corresponding terminals, then twist the sounder onto the base.

✧ If the sounder is required anti-removal, knock down the arch knock-off hole as shown in Fig. 1 and fix it with ST2.9 × 6.5 tapping screws (in this case, it must be removed by special tools).

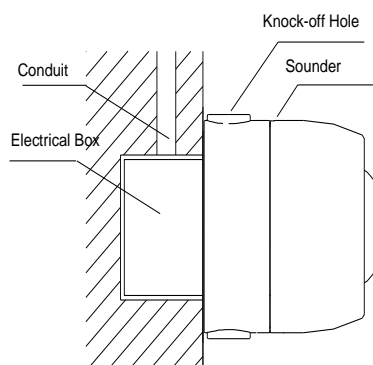


Fig. 3a

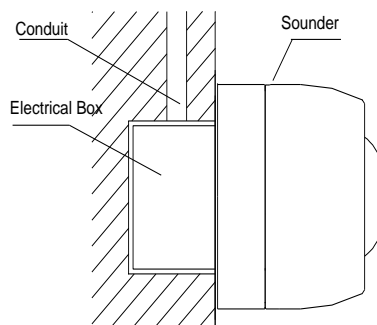


Fig. 3b

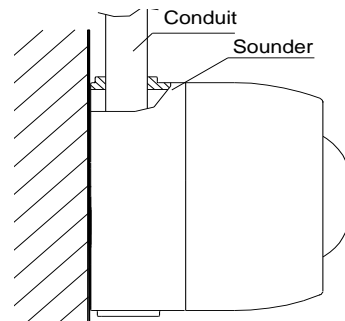


Fig. 4

Application

Address can be programmed through programmer. Refer to P-9910B Hand Held Programmer Installation and Operation Manual for further details.

✧ When device type of the sounder is 121, it occupies two consecutive addresses; when device type is other

numbers (factory default is 27), it occupies one address.

✧ Two activating methods when the sounder is in Tone I:

- Short external controlled input terminals S and G to activate the sounder.
- When the sounder occupies two addresses, activate the first through the control panel.

✧ Two activating methods when the sounder is in Tone II:

- When the sounder occupies one address, activate it through the control panel.
- When the sounder occupies two addresses, activate the second through the control panel.

The wiring method of signal loop and power loop of the sounder and the method of direct control through volt-free normally open contact of the manual call point are shown in Fig. 5.

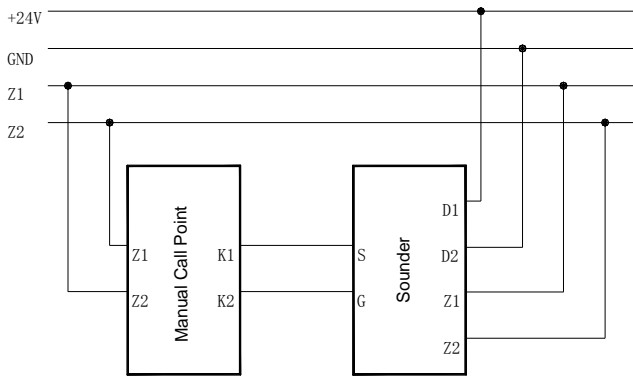


Fig. 5

Sound Level Data (Complies to EN54-3)

✧ Alarm

Angle	Horizontal		Vertical	
	20V	28V	20V	28V
15°	75.19	77.17	72.85	72.31
45°	84.01	87.07	82.57	85.63
75°	87.61	90.85	86.98	89.32
105°	87.43	90.22	88.42	90.67
135°	83.11	86.17	83.65	86.80
165°	70.60	73.84	75.55	77.98

✧ Pre-alarm

Angle	Horizontal		Vertical	
	20	28V	20	28V
15°	72.67	75.73	61.15	65.11
45°	80.50	83.20	78.61	81.40
75°	84.37	87.25	83.56	86.53
105°	83.65	86.53	84.91	88.15
135°	79.51	82.57	80.32	83.65
165°	66.10	69.61	70.78	74.11

This document is subject to change without notice. Please contact GST for more information or questions.

GST China Gulf Security Technology Co., Ltd.

No. 80, Changjiang East Road,
QETDZ, Qinhuangdao, Hebei,
P. R. China 066004
Tel: +86 (0) 335 8502528
Fax: +86 (0) 335 8508942
sales.gst@fs.utc.com
www.gst.com.cn

GST UK Global System Technology PLC

Lion Court, Staunton Harold Hall,
Melbourne Road, Ashby de la Zouch,
Leicestershire, England LE65 1RT
Tel: +44 1283 225 478
Fax: +44 1283 220 690
info@gst.uk.com
www.gst.uk.com

GST Dubai Global System Technology PLC

PO Box 17998 Unit ZA04
JEBEL ALI Free Zone,
Dubai, UAE
Tel: +971 (0) 4 8833050
Fax: +971 (0) 4 8833053
info@gst.uk.com
www.gst.uk.com

Specification

Operating Voltage	Loop voltage: 24V Power voltage: 24VDC
Standby Current	Loop current ≤ 1mA Power current ≤ 3mA
Action Current	Loop current ≤ 5mA Power current ≤ 50mA
Wiring	Four-wire, connecting with polarity-insensitive loop. Polarity-insensitive two-wire for connecting power.
Tone I	Sound Level: See the above sound level data table Sound Pattern: 2.8KHz (430ms on / 1200ms off)
Tone II	Sound Level: See the above sound level data table Sound Pattern: 2.8KHz (430ms on / 340ms off)
Programming Mode	Electronically addressed
Programming Range	Occupying 1 or 2 (when device type is 121) address within 1~242.
Ingress Protection Rating	IP33
Operating Temperature	-10°C ~ +50°C
Relative Humidity	≤ 95%, non condensing
Material and Color of Enclosure	ABS, red (PANTONE 1795C)
Dimension (L×W×H)	φ 110mm × 97.5mm (deep base) φ 110mm × 83mm (shallow base)
Mounting Hole Spacing	55mm ~ 80mm
Weight	About 345g (deep base) About 317g (shallow base)

Accessories and Tools

Model	Name	Remark
P-9910B	Hand Held Programmer	Supplied Separately
C-94DB	Base	Supplied Separately

Limited Warranty

GST warrants that the product will be free from defects in design, materials and workmanship during the warranty period. This warranty shall not apply to any product that is found to have been improperly installed or used in any way not in accordance with the instructions supplied with the product. Anybody, including the agents, distributors or employees, is not in the position to amend the contents of this warranty. Please contact your local distributor for products not covered by this warranty.