

## Features

- ✧ Electronically addressed. The address can be modified in field.
- ✧ Built-in microprocessor processes information intelligently.
- ✧ Four working modes (Mode I, II, III, IV) with different addresses.

## Description

I-9402 Addressable Base Mount Sounder (the sounder) is an audible signal appliance mounted in field. When there is a fire, it will give audible alarm signal to warn people in field.

Built in microprocessor, the sounder can communicate with fire alarm control panel (FACP). The microprocessor will make the buzzer sound according to different working modes when the sounder receives start command from FACP.

## Connection and Cabling

Fig. 1 shows terminals of the sounder.

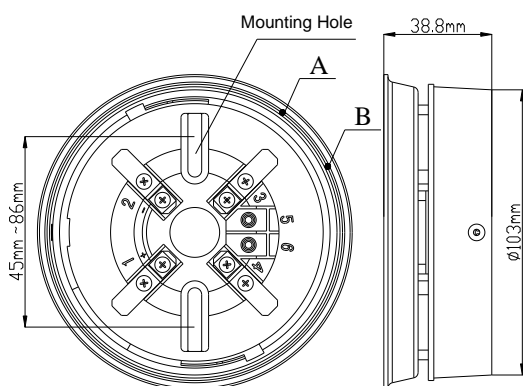


Fig. 1

Z1(1), Z2(3): Signal loop of FACP, polarity-insensitive.

### Recommended Cabling

1.0mm<sup>2</sup> or above fire cable, subject to local codes.

## Installation

**Warning:** Before installing the sounder, disconnect the power from loop and verify that all the bases are securely fixed and that the wiring is correct on each base.

- 1 Before installation, check the enclosure and labels. It should be without scratch and distortion.
- 2 Mounting of the sounder is shown in Fig. 2.
- 3 Fix the Souder into back box with screws.



- 4 Align the orientation mark of the top cover to mark A (refer to Fig.1), rotate the sounder to align the mark with mark B, the top cover is installed. If it's used as detector base, take down the top cover and install the detector on it in the same method as mounting the top cover.

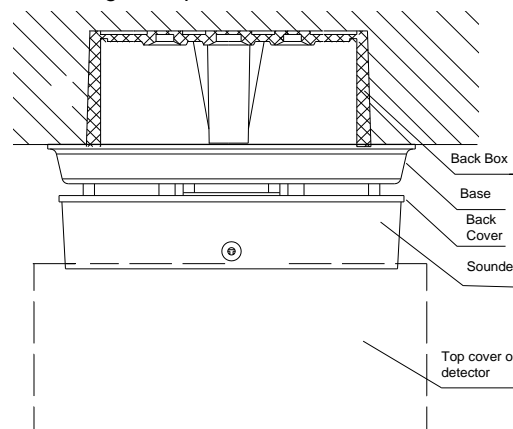


Fig. 2

## Application

The sounder can also be used as detector base to install different intelligent heat and smoke detectors to combine detection and alarm. It can be connected to the loop of fire alarm control panel without separate power supply.

### Programming:

P-9910B programmer can be used to program in field. Connect the programmer with 1 and 3 terminal of the sounder. On power-on state, input the address code of the sounder (1~242), press *Program*. If programming is successful, "P" will be displayed. If it is error, "E" will be displayed. Press *Clear* to return the power-on state. It's only needed to program low address (pre-alarm sound) when the sounder occupies two consecutive address points, automatically increasing one to be high address (fire alarm). Refer to *P-9910B Hand Held Programmer Installation and Operation Manual* for details.

## Setting Working Mode

On power-on state of the programmer, press *Function* and enter number 4, “-” will show on the last digit. Input the working mode parameter, press *Program*, “P” will show on the screen, meaning the corresponding mode has been set. Press *Clear* to remove, input 789 to lock, then press *Clear* to return. The sounder is defaulted as Mode III (102, or any number from 1~240 except 100, 101, 103 ). Mode I (100), Mode II (101), Mode IV (103) can be set in field, Programming the sounder before installation, adopts the proper mode by the actual circumstance.

### How to use four working modes

Working mode	Address	Type of fire alarm
Mode I	sharing the address	Fire
Mode II	one	Fire
Mode III	two	Low address: Pre-alarm High address: fire
Mode IV	Two, one shares the address, and the other occupies an address individually.	No address: Pre-alarm Occupying the address: fire

### Application

◇ The sounder can be used as detector base to mount intelligent detectors, which can both detect fire and give audible alarm signal to realize combined function. In this case, you should remove the top cover and mount the intelligent detector.

◇ The sounder can be directly connected into fire alarm system. When there is fire alarm message, it will activate the sounder and give fire alarm sound by pre-set cause and effect formula. System composition is shown in Fig. 3.

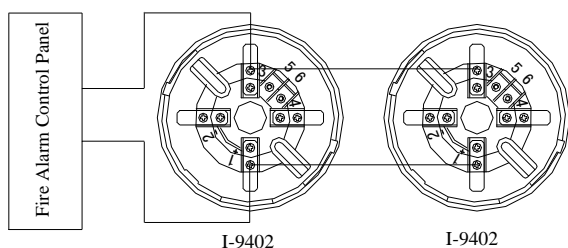


Fig. 3

### Cautions

◇ **Please read this manual before operating the sounder.**

- ◇ **A loop can connect up to 40 sounders for the heavy current when activated.**
- ◇ **Adopt special top cover if not connected with fire detector.**
- ◇ **Don't repair by yourself if there is trouble, but contact with dealer in time.**

## Specification

Operating Voltage	Loop 24V (16V~28V)
Standby Current	≤1mA
Alarm Current	≤5mA
Sound Level	≥85dB (1m ahead horizontally (A weighted))
Mode	Setting Mode I, Mode II, Mode III, Mode IV through different addresses.
Type of Alarm Signal	Pre-alarm: Intermittent (0.5s on 1s off) Fire Alarm: Continuous (0.4s on, 0.3s off)
Programming	Electronically addressed
Code Range	1~242
Ingress Protection Rating	IP31
Operating Temperature	-10°C~+50°C
Relative Humidity	≤95%, non condensing
Material and Color of Enclosure	ABS, white (RAL 9016)
Dimension	Diameter: 120mm Height: 38.8mm(without cover)
Weight	About 150g

## Accessories and Tools

Model	Name	Remark
P-9910B	Hand Held Programmer	Order separately
	Top Cover	Order separately

## Limited Warranty

**GST** warrants that the product will be free of charge for repairing or replacing from defects in design, materials and workmanship during the warranty period. This warranty shall not apply to any product that is found to have been improperly installed or used in any way not in accordance with the instructions supplied with the product. Anybody, including the agents, distributors or employees, is not in the position to amend the contents of this warranty. Please contact your local distributor for products not covered by this warranty.

This document is subject to change without notice. Please contact GST for more information or questions.

### GST China

#### Gulf Security Technology Co., Ltd.

No. 80, Changjiang East Road,  
QETDZ, Qinhuangdao, Hebei,  
P. R. China 066004  
Tel: +86 (0) 335 8502528  
Fax: +86 (0) 335 8508942  
sales.gst@fs.utc.com  
www.gst.com.cn

### GST UK

#### Global System Technology PLC

Lion Court, Staunton Harold Hall,  
Melbourne Road, Ashby de la Zouch,  
Leicestershire, England LE65 1RT  
Tel: +44 1283 225 478  
Fax: +44 1283 220 690  
info@gst.uk.com  
www.gst.uk.com

### GST Dubai

#### Global System Technology PLC

P.O. Box 17998 Unit ZA04  
JEBEL ALI Free Zone,  
Dubai, UAE  
Tel: +971 (0) 4 8833050  
Fax: +971 (0) 4 8833053  
info@gst.uk.com  
www.gst.uk.com