

Features

- ✧ Used as the base of detectors or as the sounder.

Description

C-9402 Conventional Base Mount Sounder (the sounder) is an audible signal appliance in field, used together with I-9308 module. When there is a fire, the sounder gives alarming sound to warn people.

Connection and Cabling

Fig. 1 shows terminals of the sounder.

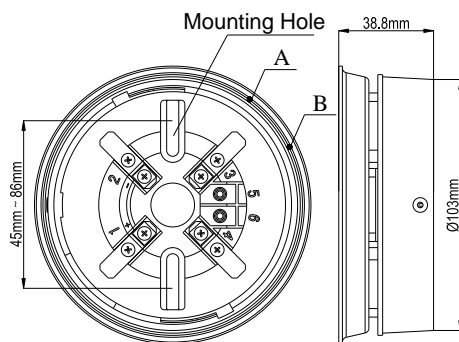


Fig. 1

Refer to *Application* for connection.

Recommended Cabling

1.0mm² or above fire cable, subject to local codes.

Installation

Warning: Before installing the sounder, disconnect the power from loop and verify that all the bases are securely installed and that the cabling is correct on each base.

1 Before installation, first check the enclosure without scrapes and distortion, the labels should be complete.

2 Mounting of the sounder is shown in Fig. 2.

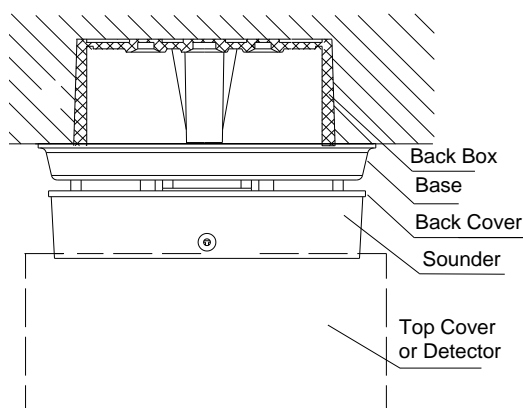


Fig.2



- 3 Fix the sounder to the back box with screws.
- 4 Align the orientation mark of the top cover to mark A (refer to Fig.1), rotate the sounder to align the mark with mark B, the top cover is installed. If it's used as detector base, take down the top cover and install the detector on it in the same method as mounting the top cover.

Application

The sounder can be used as a base to install intelligent heat or smoke detectors to combine detection and alarm. It can also be used as a sounder.

The audible control part of the sounder has two wires. Used as the sounder, it needs separate wiring to connect with detectors.

✧ The sounder can be directly connected to I-9308 module, which occupies two consecutive address points. When there is fire alarm message, it activates low address to give pre-alarm sound, activates high address to give fire alarm sound. System wiring is shown in Fig. 3.

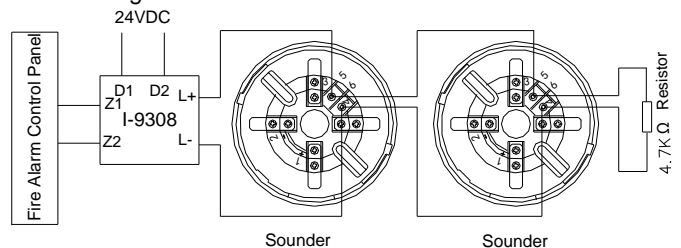


Fig. 3

"5" of the sounder connects to "L+" of I-9308 module.
"6" of the sounder connects to "L-" of I-9308 module.
The "5" and "6" of the last sounder in the system should be connected with a 4.7kΩ terminal resistor.

✧ The sounder can also be used as detector base to mount different detectors, which can both detect fire and give audible alarm signal to realize combined function. Remove the top cover and mount the intelligent or conventional detector.

- When mounting intelligent detector on the sounder, first wire according to Fig. 3, then refer to Fig.4.

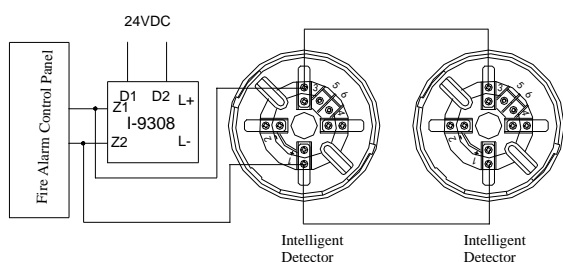


Fig. 4

"1" and "3" of the sounder connect to loop, polarity-insensitive.

"2" and "4" don't connect to any wire, but are used to fix the detector accessarily.

- When mounting conventional detectors on the sounder, I-9319 Intelligent Zone Monitor Unit should be added to the system and a P-9907 Active End of Line Unit connected to the end of the loop. First wire according to Fig. 3, then refer to Fig. 5.

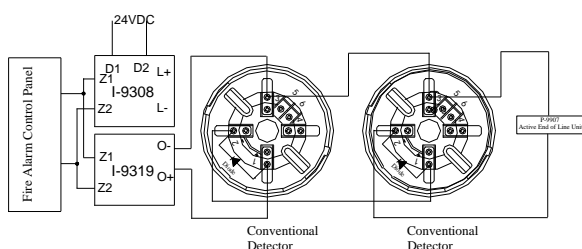


Fig. 5

"1" of the sounder connects to "O+" of the zone monitor unit.

"3" of the sounder connects to "O-" of the zone monitor unit.

An 1N5819 diode (please note polarity) should be connected between 1 and 2 of the sounder.

"2" of the sounder connects to "1" of the next equipment as anode of output power.

"2" and "3" of the last sounder connect to end of line unit.

"4" of the sounder doesn't connect to any wire, but is used to fix the detector accessarily

Specification

Operating Voltage	24VDC
Alarm Current	≤15mA
Sound Level	≥85dB (1m horizontally ahead (A weighted))
Type of Alarm Signal	Pre-alarm: Intermittent (0.5s on 1s off) Fire Alarm: Continuous (0.4s on 0.3s off)
Ingress Protection Rating	IP31
Operating Temperature	-10°C~+50°C
Relative Humidity	≤95%, non condensing
Material and Color of Enclosure	ABS, white (RAL 9016)
Dimension	Diameter: 120mm Height: 38.8mm(without top cover)
Weight	About 130g

Accessories and Tools

Model	Name	Remark
I-9308	Addressable Sounder Circuit Module	Order separately
	Top cover	Order separately

Limited Warranty

GST warrants that the product will be free of charge for repairing or replacing from defects in design, materials and workmanship during the warranty period. This warranty shall not apply to any product that is found to have been improperly installed or used in any way not in accordance with the instructions supplied with the product. Anybody, including the agents, distributors or employees, is not in the position to amend the contents of this warranty. Please contact your local distributor for products not covered by this warranty.

This Data Sheet is subject to change without notice. Please contact GST for more information or questions.

Gulf Security Technology Co., Ltd.

No. 80, Changjiang East Road, QETDZ, Qinhuangdao, Hebei, P. R. China 066004

Tel: +86 (0) 335 8502434 Fax: +86 (0) 335 8502532

service.gst@fs.utc.com www.gst.com.cn