

# I-9403 Intelligent Sounder Strobe



## Description

I-9403 Intelligent Sounder Strobe is an audible and visual notification device, which can be activated by fire alarm control panel. In case of fire condition, by command from the control panel, the sounder strobe will generate strong audible and visual alarm signal to warn people evacuate from the building.

## Features and Benefits

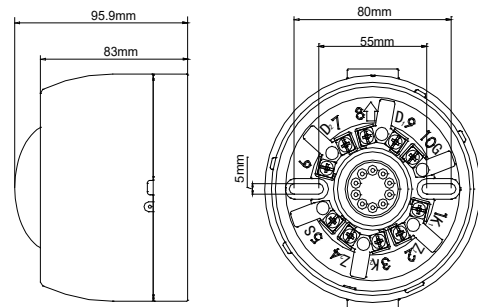
- Two parts structure with base mounted termination allows easy installation
- 16 programmable alarm tones
- Optional Evacuate + Alert mode
- Strobe provided by high intensity LED cluster
- Switch off Light or Sound output for special applications
- Optional loop powered or external 24VDC powering
- Optional power saving mode or hi-consumption mode
- Electronically addressed
- Comply with EN54-3

## Certificates and Compliance

- Standards: EN54-3
- Certifications: LPCB

## Terminals and Installation Holes

Terminals and dimensions of the sounder are shown below.



- Z1 (2), Z2 (4): Loop, non-polarized  
D1 (9), D2 (7): 24VDC, non-polarized

## Recommended Cabling

1.5mm<sup>2</sup> or above fire cable is recommended, but subject to local codes.

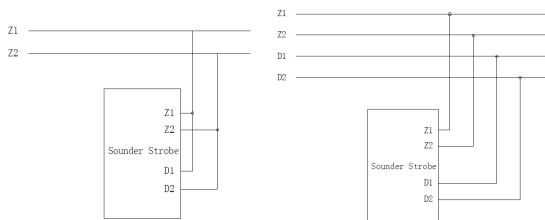
## Application

The address, tones and working modes can be set through P-9910B handheld programmer. The factory default is tone 14, single address, normal consumption mode.

When the sounder takes 2 addresses, the 1<sup>st</sup> address will sound in pre-alarm tone.

Mode Code	Tone	Address Quantity	Pre-alarm	Working Mode
1-16	1-16	1	No	Power Saving
17-32	1-16	2	Yes	Power Saving
33-48	1-16	1	No	Normal
49-64	1-16	2	Yes	Normal

The sounder sits in GST addressable loop, can be powered by loop or external 24VDC. In loop power mode, Max. 20 pieces can be driven by each loop. Only power saving mode is accepted under loop powering. Below figures show the typical connection for loop powering and external 24VDC powering.



For surface cabling project, an optional deep base is a possible solution.

Tones:

Tone	Description
01	970Hz
02	800Hz / 970Hz @ 2Hz
03	800Hz -970Hz @1Hz
04	970Hz 1s off / 1s on
05	970Hz, 0.5s / 630Hz, 0.5s
06	500Hz - 1200Hz×3, 3.5s on / 0.5s off
07	2850Hz, 0.5s on / 0.5s off×3 / 1.5s off
08	2850Hz 0.4s on, 0.3s off
09	550Hz, 0.7s / 1000Hz, 0.33s
10	1500Hz -2700Hz @ 3Hz
11	2400Hz
12	500Hz -1200Hz @ 0.33Hz
13	2400Hz -2900Hz @ 9Hz
*14	2400Hz -2900Hz @ 3Hz
15	800Hz-970Hz @ 3Hz
*16	500Hz-1200Hz, 3.75s / 0.25s off
*Pre-alarm	800Hz 1s off / 1s on

\* Recognized by LPCB

Max. Sound Level (External 24VDC, Normal mode, @1m, A weighted):

Tone 14: 86dB

Tone 16: 84dB

Pre-alarm: 76dB

## Technical Specification

Operating Voltage	Loop: 24V (20V~28V) Power: 24V (20V~28V)
Standby Current	<b>Power-saving mode:</b> ※ Loop-powered: Loop monitor current≤2mA Start current≤9mA ※ External 24V powered Loop monitor current≤1mA Start current≤2mA Power monitor current≤1mA Start current≤9mA <b>Normal mode:</b> ※ Loop powered Loop monitor current≤2mA Start current≤35mA ※ External 24V powered Loop monitor current≤1mA Start current≤2mA Power monitor current≤1mA Start current≤35mA
Programming Mode	Electronically addressed
Programming Range	1~242
Ingress Protection Rating	IP33
Operating Temperature	-10°C ~ +50°C
Relative Humidity	≤95%, non condensing
Dimension	110mm×95.9mm (shallow base)
Enclosure	ABS
Weight	About 327.2g (shallow base)

## Ordering Information and Compatible Products

Part No.	I-9403
Device Name	Addressable base mount sounder
Product No.	10106295
Compatible Panels	GST100 Intelligent Fire Panel GST200-2 Intelligent Fire Panel GST200N Intelligent Fire Panel GST- IFP8 Intelligent Fire Panel

## Accessories and Tools



Part No.: P-9910B  
Device name: Handheld Programmer  
Product No.: 10104894



Part No.: C-94DB  
Device name: Deep Base  
Product No.: 30203792