

I-9332 Intrinsically Safe Interface



Description

I-9332 Interface can match with explosion-proof devices, such as explosion-proof smoke detector, heat detector, combination smoke/heat detector or manual call point to form an intrinsically safe system.

Features and Benefits

- Photoelectric isolation technology for output signal, the interface is safe to use and can restrict the interference of industrial frequency
- Electronic addressing, which can be modified in field
- Microprocessor monitors running status
- Built-in safety barrier, connecting with explosion proof devices directly

Terminals

In "Intrinsically Safe Area", there are two terminals 3(+) and 4(-) of safety barrier, anode of intrinsically safe device connects with 3(+), and its cathode with 4(-).

In "Non-intrinsically Safe Area", there are four terminals. Z1, Z2 connects with loop, non-polarized. D1, D2

connects with 24VDC, non-polarized.

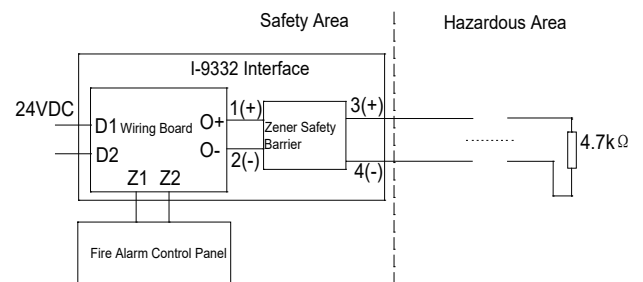
In addition, enclosure of the interface must connect to Ground through the brass bolts.

Recommended Cabling

1.0mm² or above fire cable is recommended, laid through metal or flame-retardant conduit, but subject to local codes.

The capacitance distributed among cables should not be over 0.083μF, and the inductance distributed should not be over 4.1mH.

Typical Connection

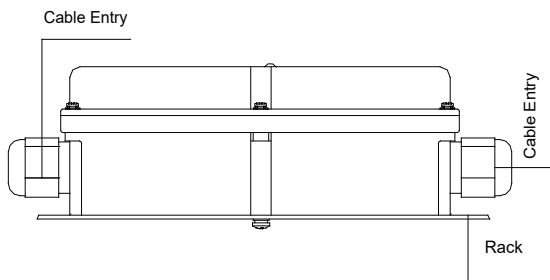
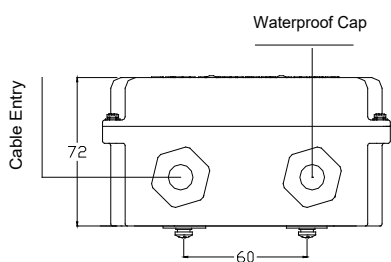
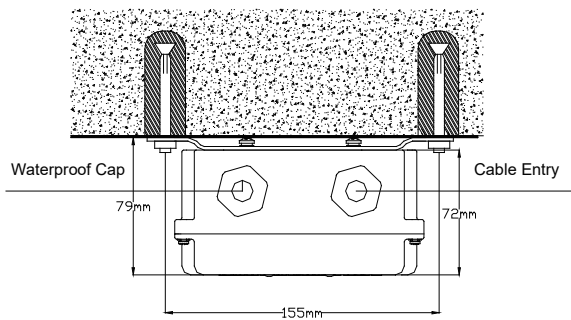


Installation and Application

The interface can be mounted on the wall with a mounting bracket, or directly mounted into rack with screws from back.

Warning:

This interface should be mounted in safety area. The wire from “Non-intrinsically safety” and those from “Intrinsically safety” should be separated from each other and be kept a certain distance (at least 50mm). Strictly follow the relative explosion-proof code when installing.



Technical Specification

Operating Voltage	Loop voltage: 24V Power voltage: 24VDC
Loop Current	Standby current≤0.5mA Alarm current≤5mA
Address Range	Electronically addressed, 1 ~ 242
Ingress Protection Rating	IP65
Internal safety barrier	U0=28V, I0=93mA, L0=4mH, C0=0.083 μ F
Environmental Temperature	-10°C ~ +50°C
Relative Humidity	≤95%, non condensing
Dimensions	201 mm×172 mm×79 mm
Material and Color of Enclosure	Cast aluminum alloy, silver grey
Weight	1kg
Mounting Hole Spacing	155mm or 60mm

Order Information

Part No.	I-9332
Device Name	Intrinsically Safe Interface
Product No.	10101571
Compatible Products	DC-9101(IS) Intrinsically Safe Smoke/Heat Detector DC-9102(IS) Intrinsically Safe Smoke Detector DC-9103(IS) Intrinsically Safe Heat Detector DC-9202(IS) Intrinsically Safe Manual Call Point

Accessories and Tools



Part No.: P-9910B
Device name: Handheld Programmer
Product No.: 10104894