

# GST-306 Extinguishing Control Panel



## Description

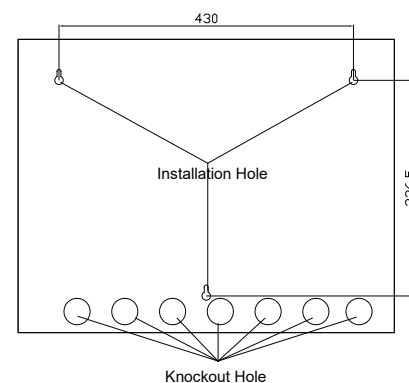
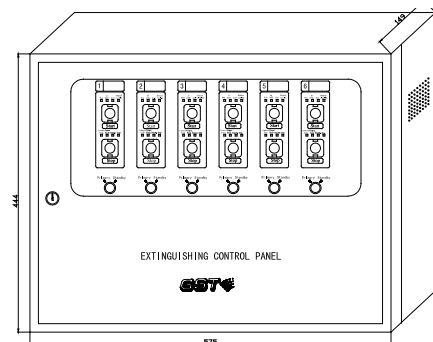
GST306 Extinguishing Control Panel is designed for driving the executing units of a fixed extinguishing system. The panel sits in GST addressable loop, receives command from fire alarm control panel and carries out gas extinguishing.

## Features and Benefits

- Directly connected to the loop of GST intelligent fire alarm control panels that are able to control associated fire suppression equipment to achieve automatic control of gas release.
- Through emergency gas override control in field or Start and Stop keys on the control panel, it can control gas release devices independent, even if the FACP is not working properly.
- All cables monitored for fault of open circuit and short circuit.
- Adjustable delay timer and release output period.
- Optional pulse or continuous output.

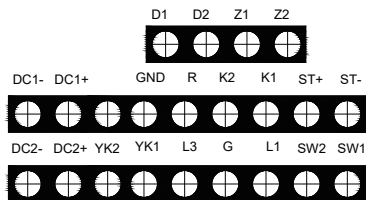
## Installation Data

The GST306 Extinguishing Control Panel is wall-mount type. Its appearance and the mounting holes are shown here.

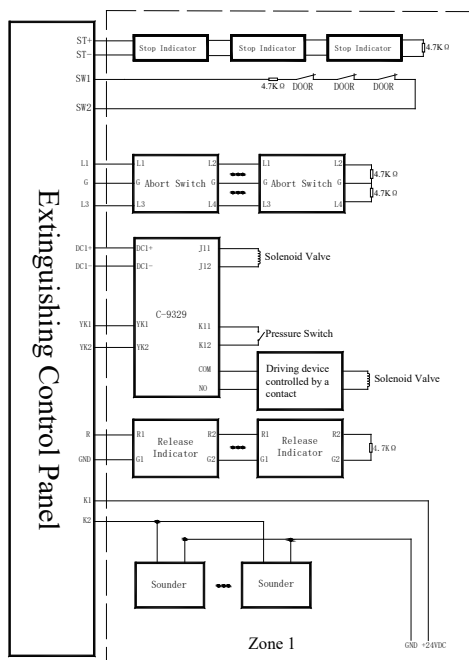


## Terminals and Connections

All external wires are connected to the control panel through I/O board or filter. Below is the common terminal and terminals of Zone 1.



- D1, D2: Power input, non-polarized.
  - Z1, Z2: Loop, non-polarized.
  - DC1-, DC1+: Extinguishing start terminal, to gas extinguishing relay module.
  - GND, R: Gas Extinguishing Warning Indicator.
  - K2, K1: To sounder strobe
  - DC2-, DC2+: Reserved for future use.
  - YK2, YK1: Pressure switch input, from gas extinguishing relay module.
  - L3, G, L1: Emergency Gas Override Control input
  - ST+, ST-: Gas Stop Indicator, polarized.
  - SW1, SW2: Door Switch input, from the switch of the door to the protected zone, non-polarized, normally-closed signal.
- A typical system connection is shown below.



## Technical Specification

Operation Voltage	24VDC
Standby Power Consumption	≤10W
Zone Quantity	6
Delay timer	0 ~ 45s, steps @5s
Gas Extinguishing Output	Pulse (5s) or Continuous output, Max. 2A
Other Outputs	Release Indicator: 300mA/24VDC Stop Indicator: 100mA/24VDC Sounder: Dry-contact, 1A/24VDC
Operating Environment	0°C ~ +40°C ≤95%, non condensing
Dimensions	575mm(W) x 444mm(H) x 149mm(D)

## Recommended cabling

- All cables should be fire rated and follow local codes.
- 24VDC Power: 2.5mm<sup>2</sup>, 100 meters
- Cylinder: 2.5mm<sup>2</sup>, 100 meters
- Others: Minimum 1.0mm<sup>2</sup>, ideally 1.5mm<sup>2</sup>

## Ordering Information

Part No.	GST306
Device Name	Extinguishing Control Panel
Product No.	10104030
Compatible Panels	GST200-2 GST200N GST-IFP8
Compatible Devices	C-9317 Emergency Gas Override Control C-9318 Gas Extinguishing Warning Indicator C Series Conventional Detector DC Series Conventional Detector DC-9204E Conventional Manual Call Point C-9403 Conventional Sounder Strobe C-9404 Conventional Sounder