

# GST116A

## Conventional Fire Alarm Control Panel



### Description

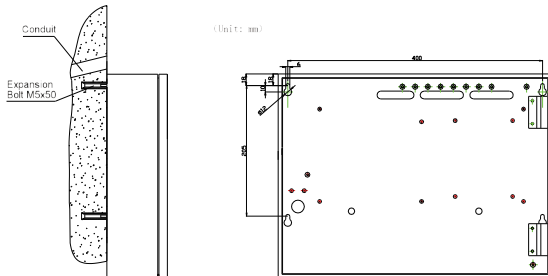
GST116A Conventional Fire Alarm Control Panel is designed in compliance with EN 54-2 1997 + A1: 2006 & EN 54-4 1997+A1: 2002+A2:2006 standard. It's compatible with GST conventional detectors, manual call points and sounders. The panel is easy to install and operate. Control functions are enabled by a key switch. Programming functions are enabled by a key switch and an internal switch.

### Features and Benefits

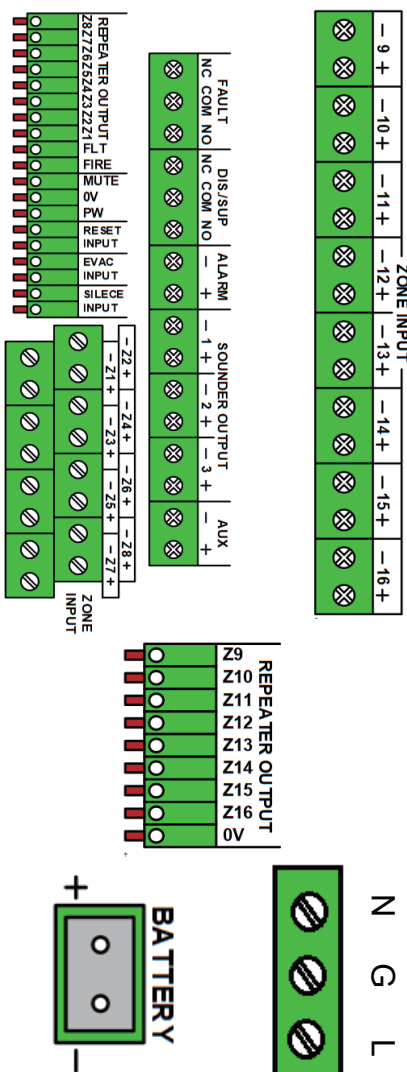
- 16 zones. Each zone can have maximum 32 conventional detectors. The total number of detectors and call points in a zone shall not exceed 32
- Each zone can be programmed work as fire alarm (default) or supervisory alarm mode
- Each zone include 2 indicators, 1st indicator is bi-color( Red and Green), factory default to indicate fire condition. Red color on in case fire signal triggered; also can be programmed to indicate supervisory condition. Green color on in case supervisory signal triggered. 2nd abmer indicator flashes when the zone is in fault condition(0.5:0.5). And it illuminates steadily when the zone is disabled or in test mode.
- 1x Alarm output can be setup as 24V or N/O,N/C
- 3x sounder outputs, output 1 can be setup 24V or N/O N/C, output 2 and 3 only work as 24V output
- 1x Disable/supervisory relay output (N/O COM N/C)
- 1 x Fault output (N/O COM N/C)
- 1x Auxiliary power output: output current 450mA in standby mode and Maximum 1000mA in alarm mode when the Alarm Output been set to a normally open/close contact type
- Able to report short circuit and open circuit of detection zones, sounder outputs and alarm output
- Designed with standby batteries and space provision for two sealed lead-acid batteries
- Easy operation to enable/disable zones, sounder outputs and alarm output
- Alarm Test function selectable with or without sounder notification
- Output programmable for interlink between zones and sounder outputs, alert or evacuate tone, with or without delay
- Different Silence/Reset/Test modes can be selected to meet local requirement
- Remote controls available for silence evac and reset
- Three access levels settable via key control
- Reserved repeater panel interface for fire alarm indication of multiple zones

## Installation Data

GST116A FACP is wall-mount/flush-mount combined.  
The surface mounting details is shown here.



## Terminals



- FAULT (NC, COM, NO): Fault output terminal.
- DIS. / SUP. (NC, COM, NO): Disable/supervisory terminal.
- ALARM OUTPUT (-, +): Alarm output terminal.
- SOUNDER OUTPUT (1~3) (-, +): Sounder output terminals.
- AUX SUPPLY (-, +): Auxiliary power terminal.
- REPEATER OUTPUT (Z1~Z16): Output terminals of repeater panel for zone 1 to 16. (Z9 ~ Z16 on the expansion board)
- FLT: Fault terminal for repeater panel connection.
- FIRE: Fire alarm terminal for repeater panel connection.
- MUTE: Mute terminal for repeater panel connection.
- OV: Power supply negative terminal for repeater panel connection.
- PW ON: Reserve terminal for repeater panel connection.
- RESET INPUT: For remote operation of reset.
- EVAC INPUT: For remote operation of EVAC.
- SILENCE INPUT: For remote operation of silence.
- ZONE INPUT (1~16): Zone 1 to 16 input terminals. (Z9 ~ Z16 on the expansion board)
- BATTERY (+, -): Battery terminals
- L, G, N: Mains input terminals

## Cable Requirement

- \* All cables should be fire rated and follow local codes.
- Zone: 1.0mm<sup>2</sup> or above 2-core cable, Maximum 1000 meters
- Sounder Output: 1.0mm<sup>2</sup> or above 2-core cable, Maximum 1000 meters
- Alarm Output: 1.0mm<sup>2</sup> or above 2-core cable, Maximum 1000 meters
- Fault Output: 1.0mm<sup>2</sup> or above 2-core cable, Maximum 1000 meters
- Remote Connections: 1.0mm<sup>2</sup> or above 2-core cable, Maximum 1000 meters
- Repeater Connections: 1.0mm<sup>2</sup> or above 2-core cable, Maximum 1000 meters

## Certificates and Compliance

- Standards: EN 54-2 1997 + A1: 2006;  
EN 54-4 1997+A1: 2002+A2:2006
- Certifications: LPCB

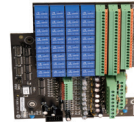
## Technical Specification

Primary Supply	220/230VAC <sup>+10%</sup> / <sub>-15%</sub> , 50/60Hz
Standby Power	7AH/24VDC
Maximum internal resistance of the batteries	1 Ω
Zone Quantity	16
Device Capacity	32 detectors per zone
End of Line for zone	AEOL (active end of line) or EOLR (0.5Watt/4.7kΩ)
End of Line for others	EOLR (0.5Watt/4.7kΩ) Sounder output, Alarm output
Protection	IP30
Standard	EN54-2 1997 + A1: 2006, EN 54-4 1997+A1: 2002+A2:2006
Approval	LPCB
Operating Environment	0°C ~ +40°C ≤95%, non condensing
Dimensions	430mm(W)x320mm(H)x98mm(D)

## Compatible Devices

GST-RP16 Repeater Panel  
 DC-910xE Series Conventional Detectors  
 C-910x Series Conventional Detectors  
 DC-9204E Conventional Manual Call Point  
 C-940x Series Conventional Sounders and Strobes

## Accessories



Part No.: RB116A  
 Device name: Relay Board  
 Product No.: 20101736



Part No.: P-9907  
 Device name: Active End of Line  
 Product No.: 10102406



Part No.: DP-9907  
 Device name: Active End of Line  
 Product No.: 10103044

## Order Information

Part No.	GST116A
Device Name	Conventional Fire Alarm Control Panel
Product No.	10105779