

GST-IFP8 Intelligent Fire Alarm Control Panel



Description

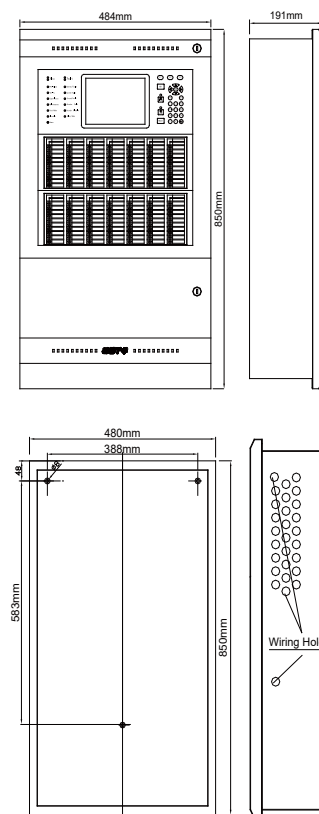
GST-IFP8 Intelligent Fire Alarm Control Panel (FACP) is designed to comply with EN54-2 and EN54-4 standard with qualities of simple installation, operation, and easy maintenance. Modularized structure allows the panel to be expanded to maximum 8 loops, 1936 devices can cover most medium projects.

Features and Benefits

- Max.999 zones, 140 of which has its own alarm and fault/disable LEDs and a label
- Maximum 8 Class A loops, each with up to 242 addressable devices
- 15*40 LCD screen, assisting the 17 LEDs to display important information
- Compatible with full series of GST EN addressable and digital products
- Non-Volatile memory ensures not loss of data even if power supply is accidentally removed
- Sounder strobe output provides 1A/24V load, capable connecting conventional sounders
- RS232 interface enables communication with PC
- RS485 interface enables networking
- RS485 interface for connecting repeaters

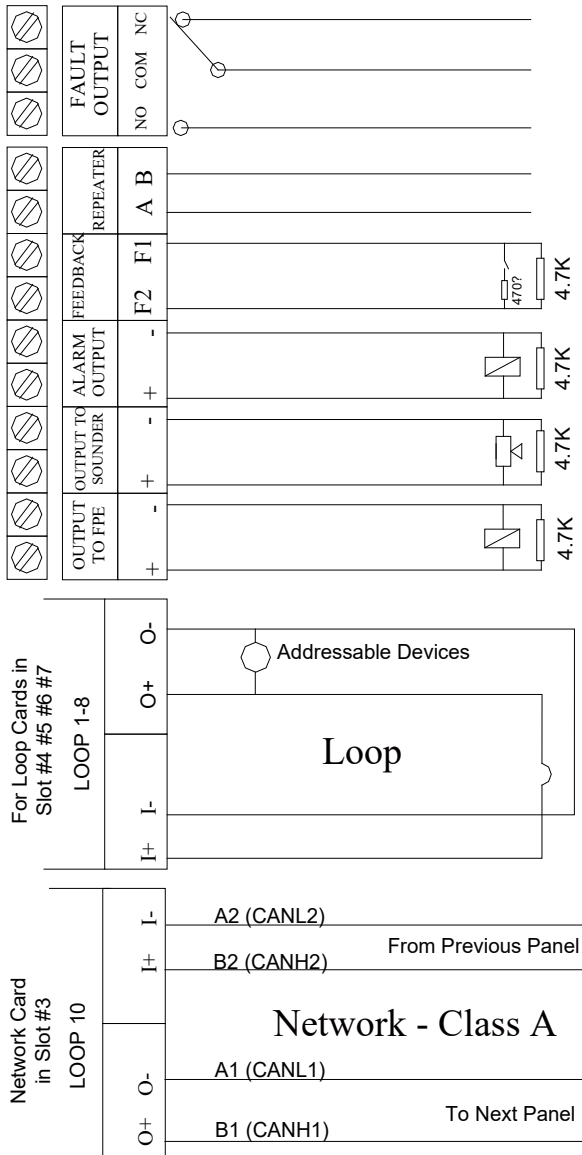
Installation Data

GST-IFP8 FACP is wall-mount/flush-mount combined. Its appearance and the mounting holes are shown here.



IMPORTANT: This publication is a generic version in which product information is shown for informational purposes only and does not constitute a specific commitment or guarantee. We are constantly pursuing the improvement of product technology to improve product performance, for which we reserve the right to adjust the configuration and technical information of the related products without notice. In addition, the description of system performance in this publication applies only to the usual situation. As a result, there may be a variety of unpredictable special circumstances in the real world, so the realization of the relevant product performance will depend on the professional investigation and analysis and the design plan. Please contact us and we will be happy to provide you with professional advice.

Terminals



Loop and Network:

Maximum 8 loops for standalone panel, the network card will occupy one slot.

Beware of the polarization for both loop and network connection.

Active outputs:

3 active outputs are provided for general alarm (200mA), sounder circuit (1000mA) and fire protection equipment (200mA), at 24VDC with cable monitoring. A 4k7 EOLR is required.

Repeater output:

Linked with the top slot, RS485 mode

Fault output:

A general fault output is provided with both NO and NC contact. The relay will be engaged when panel is in normal status, and discharged whenever any fault occurs or powered off.

Feed Back:

Designed to collect status of alarm signal transmission

Cable Requirement

Loop: Min. 1.0mm², ideally 1.5mm², 1500 meters

Network: Min. 1.0mm², ideally 1.5mm², 1200 meters

Active Outputs: Min. 1.5mm², ideally 2.5mm²

All cables should be fire rated and follow local codes.

Certificates and Compliance

- Standards: EN54-2, EN54-4
- Certifications: LPCB

Technical Specification

Primary Supply	220/230VAC, 50/60Hz
AC Current	1A
Standby Power	38AH/24VDC
Max. Battery Resistance	0.7 Ω
Loop Capacity	2 - 8 Loops
Zone Capacity	999 (140 with individual alarm/fault indicator and label)
Device Loop	242 addresses per loop
Printer	Thermal ASCII code printer
Display	15(lines) x 40(characters), LCD
Network(RS485)	Class A, Max. 32 panels (by card)
Network(CAN)	Class A, Max. 100 panels (by card) Class B, Max. 240 panels (by card and other accessories)
PC Port	RS232/USB interface (by card)
Protection	IP30
Operating Environment	0°C ~ +40°C ≤95%, non-condensing
Dimensions	484mm(W)x850mm(H)x191mm(D)

Order Information

Part No.	GST-IFP8
Device Name	Intelligent Fire Alarm Control Panel
Product No.	10104799

Variant Models

Part No.	Product No.	Property
GST-IFP8-FR	10105167	French Model
GST-IFP8-HU	10104675	Hungarian Model
GST-IFP8-IT	10105166	Italian Model
GST-IFP8-PT	10104673	Portuguese Model
GST-IFP8-SP	10105165	Spanish Model
GST-IFP8-TK	10105168	Turkish Model

Compatible Devices

Networks:

GST200-2 Intelligent Fire Alarm Panel
 GST200N Intelligent Fire Alarm Panel
 GSTGMC Graphic Monitor Software
 GST-NRP00 Network Repeater Panel
 GST852RP LCD Passive Repeater Panel
 GST8903 Mimic Panel

Loop Devices:

DI-910xE Series Digital Intelligent Detector
 I-910x Series Intelligent Analogue Detector
 DI-9204E Addressable Manual Call Point
 I-930x Series Addressable interfaces
 I-940x Series Addressable Sounders and Strobes
 C-9503E Line Isolator
 DC-9504E Isolator Base
 I-960x Series Intelligent Combustible Gas Detectors

Accessories and Tools



Part No.: LCIFP8
 Device name: Dual Loop Card
 Product No.: 20101304



Part No.: P-9935
 Device name: RS232 Communication Card
 Product No.: 20101320



Part No.: P-9935ModBus
 Device name: ModBus Communication Card
 Product No.: 20101832



Part No.: P-9935TCPIP
 Device name: TCP/IP interface card
 Product No.: 20102061



Part No.: P-9945RP
 Device name: Repeater Card
 Product No.: 20101619



Part No.: P-9945A
 Device name: RS485 Class A Network Card
 Product No.: 20101377



Part No.: P-9965
 Device name: CAN Class B Network Card
 Product No.: 20101850



Part No.: P-9965A
 Device name: CAN Class A Network Card
 Product No.: 20102067



Part No.: P-9904
 Device name: USB Printer Interface
 Product No.: 20101639