

DI-9204Exd

Digital Flame Proof

Manual Call Point



Description

DI-9204Exd Digital Flame-proof Manual Call Point (MCP) is applicable to vessels, Zone 1 and 2 of explosive gas atmosphere and explosive dust atmosphere. It is also suitable for outdoor application. When there is fire, pressing the glass on this MCP, alarm signal can be sent to fire alarm control panel.

The MCP can work at addressable mode to connect with GST's FACP, or work at non-addressable mode to connect with 24VDC power and output dry-contact alarm signal.

Features and Benefits

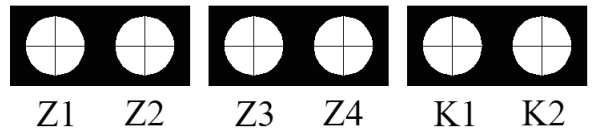
- Built-in microprocessor for alarm detection and output control
- Electronically addressed
- An independent output contact is provided to control periphery devices
- The MCP is reusable. Press glass to alarm, and reset by special key

Certificates and Compliance

- Explosion-proof Mark:
II 2 G Ex db IIB T6 Gb, $-40^{\circ}\text{C} \leq \text{Ta} \leq +70^{\circ}\text{C}$
II 2 D Ex tb IIIC T80 $^{\circ}\text{C}$ Db
- Certificate Number: Presafe 14 ATEX 5549X

Terminals and Connections

Below figures show the terminals of the Manual Call Point.



In addressable mode

Z1, Z2: Loop In, non-polarized

Z3, Z4: Loop Out, non-polarized

K1, K2: Voltage free normally open alarm output

In non-addressable mode

Z1, Z2: Power In, 24VDC, non-polarized

Z3, Z4: Power Out, 24VDC, non-polarized

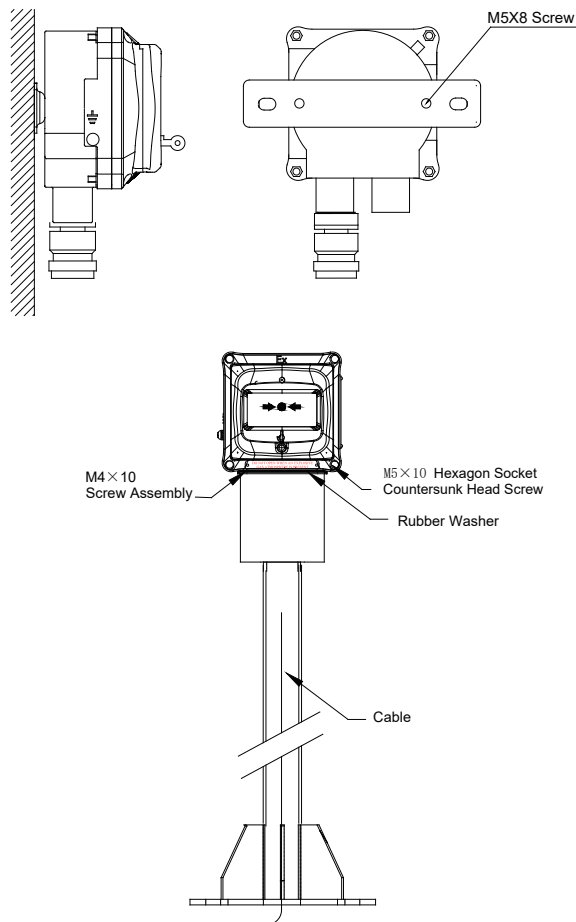
K1, K2: Voltage free normally open alarm output

Recommended Cabling

1.0mm² or above fire cable are recommended, but subject to local codes, outer diameter ϕ 8- ϕ 10mm is required. The joint washer matches with the cable diameter.

Application

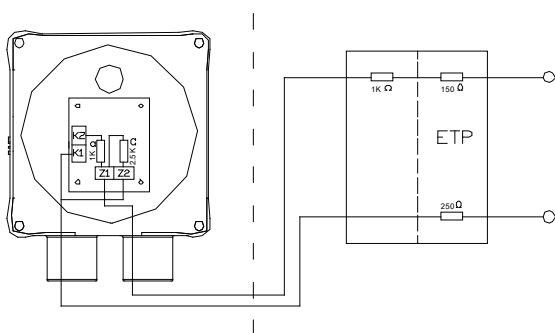
The MCP can be wall-mounted or pole-mounted, as shown in below diagrams.



Note:

Install and maintain the MCP in compliance with relative installation codes. It is prohibited to open the cover with power on in field. The enclosure should be well earthed.

It is possible to apply the MCP to SDI line as per below diagram.



Technical Specification

Operating Voltage	Addressable Mode: Loop 24V
	Non-addressable Mode: 24VDC
Operation Current	Standby current $\leq 0.8\text{mA}$ Alarm current $\leq 2.5\text{mA}$
Type of Initiating Part	Reusable
Indicator	Red. It flashes normally and lights after alarming
Programming Mode	Electronic programming. Occupying one loop address.
Address Range	1 ~ 242
Output Capacity	Normally open volt-free output, contact capacity is 1A/24VDC
Ingress Protection	IP65
Ambient Temperature	$-40^{\circ}\text{C} \sim +70^{\circ}\text{C}$
Relative Humidity	$\leq 95\%\text{RH}$, non-condensing
Dimensions	211mm \times 129mm \times 95mm
Material and Color	ZL102 aluminum alloy, red
Weight	2kg
Installation Hole Distance	163mm
Explosion-proof Mark	II 2 G Ex db IIB T6 Gb, $-40^{\circ}\text{C} \leq \text{Ta} \leq +70^{\circ}\text{C}$ II 2 D Ex tb IIIC T80 C Db

Order Information

Part No.	DI-9204Exd
Device Name	Digital Flame Proof Manual Call Point
Product No.	10102023
Compatible Products	GST Intelligent Fire Alarm Control Panel

Accessories and Tools



Part No.: P-9910B
Device name: Handheld Programmer
Product No.: 10104894