

C-9404 Conventional Sounder



Description

C-9404 Conventional Sounder is an audible notification device. In case of fire condition, the sounder will generate strong audible alarm signal to warn people evacuate from the building.

Features and Benefits

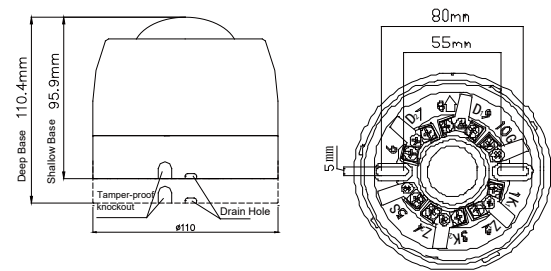
- 2 selectable tones
- LPCB approved
- Standard: EN 54-3

Certificates and Compliance

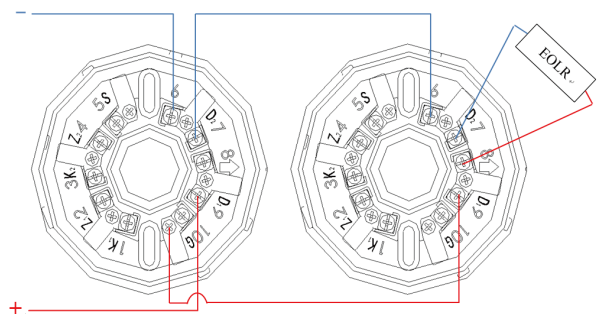
- Standards: EN54-3
- Certifications: LPCB

Terminals and Installation Holes

Below figures show the installation dimensions of the sounder and terminals on the base.



G(10), D1(9), D2(7): Connecting with 24VDC power, polarity-sensitive. G connects with positive output, D1 with positive input and D2 with negative.



Recommended Cabling

1.5mm² or above fire cable is recommended, but subject to local codes.

IMPORTANT: This publication is a generic version in which product information is shown for informational purposes only and does not constitute a specific commitment or guarantee. We are constantly pursuing the improvement of product technology to improve product performance, for which we reserve the right to adjust the configuration and technical information of the related products without notice. In addition, the description of system performance in this publication applies only to the usual situation. As a result, there may be a variety of unpredictable special circumstances in the real world, so the realization of the relevant product performance will depend on the professional investigation and analysis and the design plan. Please contact us and we will be happy to provide you with professional advice.

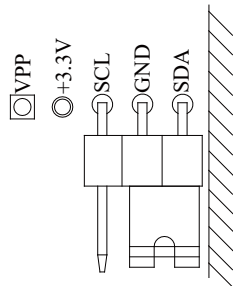
Application

The sounder has 2 tones.

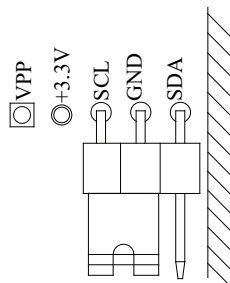
Tone	Description
01	2800Hz 0.34s off/0.4s on
02	2400Hz -2900Hz @3Hz

Factory default is at Tone 1. Below figures show the configuration method. The back cover should be opened to change the setting.

1. Tone 1: Jumper should be inserted in two pins on the edge of board as shown below.



2. Tone 2: Jumper should be inserted in two pins on the other side as shown below.



Sound Level Data (EN54-3 approved)

Tone 2800Hz 0.34s off/0.4s on. Alarm Volume

Maximum Volume dB(A)				
Angle	Horizontal Plane		Vertical Plane	
	Min20V	Min28V	Min20V	Min28V
15°	74.4	74.3	75.7	70.1
45°	87.8	88.3	88	87.7
75°	95.5	95.2	94.7	94.8
105°	95.8	95.6	97.7	97.1
135°	89.2	89.9	90.4	90.2
165°	83.3	83.7	79.9	80.1

Tone 2400Hz-2900Hz @ 3Hz. Alarm volume

Maximum Volume dB(A)				
Angle	Horizontal Plane		Vertical Plane	
	Min20V	Min28V	Min20V	Min28V
15°	83.5	86.5	82.2	85.2
45°	87.3	89.6	86.4	89.9
75°	94	96.7	93.6	96
105°	94.2	96.6	94.2	97
135°	87.3	90.6	88.2	91.2
165°	92	95.1	82.9	85.5

Technical Specification

Operating Voltage	Power: 24V (20V~28V)
Operating Current	Start current \leq 35mA
Power Consumption	0.84W
Indoor Application	Type A
Sound Level	Tone 1: Minimum sound level 95db (1 meter in front) Tone 2: Minimum sound level 95db (1 meter in front)
Ingress Protection Rating	IP33C
Operating Temperature	-10°C ~ +50°C
Relative Humidity	\leq 95%, non condensing
Material of Enclosure and Color	ABS, red
Dimension (D×H)	ϕ 110mm×110.4mm (deep base) ϕ 110mm×95.9mm(shallow base)
Mounting Hole Spacing	55mm ~ 80mm
Weight	About 355g (deep base) About 327.2g (shallow base)

Ordering Information and Compatible Products

Part No.	C-9404
Device Name	Conventional Sounder Strobe
Product No.	10104816
Compatible Products	GST102A – GST116A Conventional Panels I-9301 Addressable Single Output Module DI-9305E Digital Single Riser Output Module

Accessories and Tools



Part No.: C-94DB
Device name: Deep Base
Product No.: 30203792