

# C-9403 Conventional Sounder Strobe



## Description

C-9403 Conventional Sounder Strobe is an audible and visual notification device. In case of fire condition, the sounder strobe will generate strong audible and visual alarm signal to warn people evacuate from the building.

## Features and Benefits

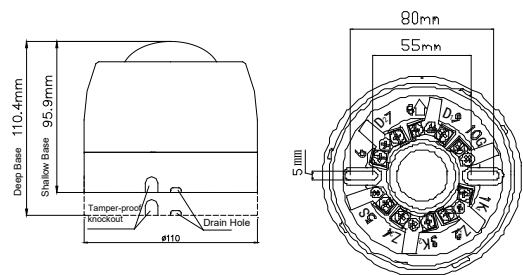
- Strobe provided by high intensity LED cluster
- 2 selectable tones
- LPCB approved
- Standard: EN 54-3

## Certificates and Compliance

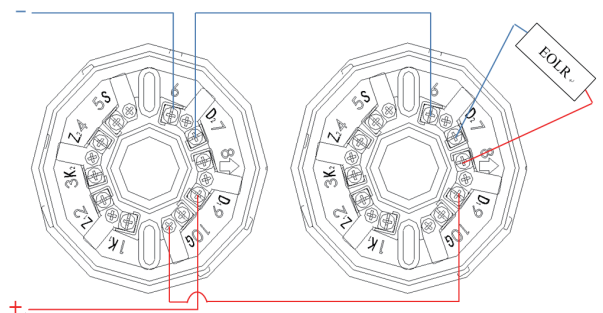
- Standards: EN54-3
- Certifications: LPCB

## Terminals and Installation Holes

Below figures show the installation dimensions of the sounder strobe and terminals on the base.



G(10), D1(9), D2(7): Connecting with 24VDC power, polarity-sensitive. G connects with positive output, D1 with positive input and D2 with negative.



## Recommended Cabling

1.5mm<sup>2</sup> or above fire cable is recommended, but subject to local codes.

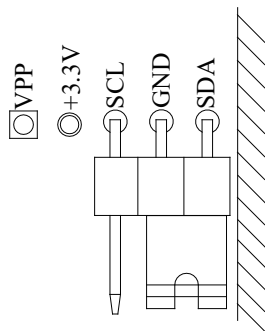
## Application

The sounder strobe has 2 tones.

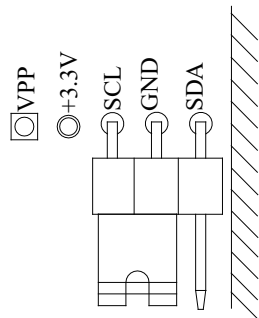
Tone	Description
01	2800Hz 0.34s off/0.4s on
02	2400Hz -2900Hz @3Hz

Factory default is at Tone 1. Below figures show the configuration method. The back cover should be opened to change the setting.

1. Tone 1: Jumper should be inserted in two pins on the edge of board as shown below.



2. Tone 2: Jumper should be inserted in two pins on the other side as shown below.



## Sound Level Data (EN54-3 approved)

Tone 2800Hz 0.34s off/0.4s on. Max Volume

Angle	Horizontal		Vertical	
	20V	28V	20V	28V
15°	77.8	79.2	79.9	79.5
45°	86.5	79.4	86.7	88.6
75°	88.0	90.3	88.4	90.3
105°	88.6	90.4	88.5	90.0
135°	87.2	79.1	86.7	79.3
165°	76.7	80.1	76.6	81.7

Tone 2400Hz-2900Hz @ 3Hz. Max volume

Angle	Horizontal		Vertical	
	20v	28v	20v	28v
15°	83.6	86.5	88.5	87.2
45°	91.9	93.7	90.5	94.5
75°	91.8	94.7	91.3	94.7
105°	91.8	94.9	91.6	94.1
135°	91.3	94.4	91.9	93.3
165°	84.9	88.1	85.7	87.9

## Technical Specification

Operating Voltage	Power: 24VDC (20V~28V)
Operating Current	Start current $\leq 35\text{mA}$
Flash Frequency	$2.0 \times (1 \pm 20\%) \text{Hz}$
Sound Level	Tone 1: not lower than 95dB (at 1m distance) Tone 2: not lower than 95dB (at 1m distance)
Ingress Protection Rating	IP33C
Operating Temperature	$-10^{\circ}\text{C} \sim +50^{\circ}\text{C}$
Relative Humidity	$\leq 95\%$ , non condensing
Material of Enclosure	ABS
Dimension (D×H)	$\phi 110\text{mm} \times 110.4\text{mm}$ (deep base) $\phi 110\text{mm} \times 95.9\text{mm}$ (shallow base)
Mounting Hole Spacing	55mm ~ 80mm
Weight	About 355g (deep base) About 327.2g (shallow base)

## Ordering Information and Compatible Products

Part No.	C-9403
Device Name	Conventional Sounder Strobe
Product No.	10106299
Compatible Products	GST102A – GST116A Conventional Panels I-9301 Addressable Single Output Module DI-9305E Digital Single Riser Output Module

## Accessories and Tools



Part No.: C-94DB  
Device name: Deep Base  
Product No.: 30203792