

C-9317 Emergency Gas Override Control



Description

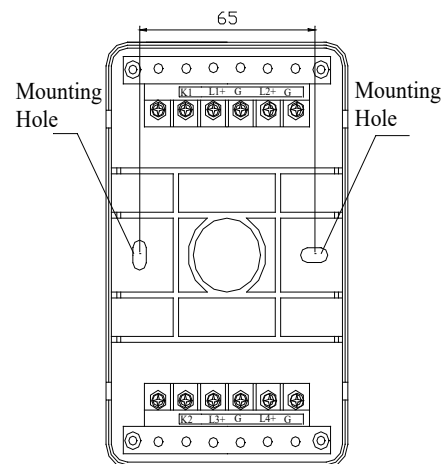
C-9317 Emergency Gas Override Control is used to control the start and stop of gas extinguishing system. It's usually installed in areas to be protected. Under emergency condition, press the start button, message can be sent to gas extinguishing control panel, which will give gas extinguishing command and start the solenoid after delay. During the delay time, if the person in field can confirm there is no fire, he could press the emergency stop button.

Features and Benefits

- Compatible with GST conventional and addressable gas release control panel
- Self-latched buttons, reset by special tool
- Spare contact output for start signal
- To avoid mis-operation, the start and stop buttons are protected by a glass cover. When fire occurs, break the glass cover to press corresponding button. The broken glass should be replaced in time.

Terminals and Installation Holes

Below figure shows the base of the button.



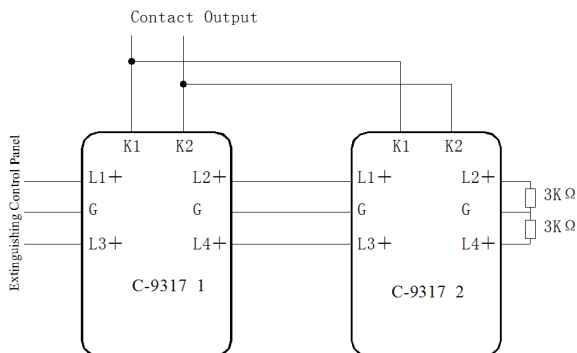
- K1, K2: Passive normally open output of start signal
- L1+, G: Start input, connected with start output of extinguishing control panel
- L2+, G: Start output, to next C-9317 or EOLR
- L3+, G: Stop input, connected with stop output of extinguishing control panel
- L4+, G: Stop output, to next C-9317 or EOLR

Recommended Cabling

1.0mm² or above fire cable is recommended, but subject to local codes.

Application

Maximum 3 pieces of C-9317 buttons can be connected in series to each port. An EOLR of 3k Ω is required to be connected for monitoring open or short circuit.



To be noted:

The stop button can only function during the delay timer.

Technical Specification

Operating Voltage	19VDC
Standby Current	0mA
Alarm Current	< 25mA
Normally-open Output Contact	Rated 60VDC/0.1A, contact resistance \leq 100m Ω .
Initiating Mode	Pressing the button manually
Type of Initiating Part	Reusable
Resuming Mode	Manually resumed by a special key
Indicators	Start: Red, flashes when the start button is pressed. Stop: Red, illuminates constantly when the stop button is pressed.
Wiring	3-core connection with extinguishing control panel.
Ambient Temperature	-10 C ~ +50 C
Relative Humidity	\leq 95%, non-condensing
Dimensions	144mm*90mm*58.5mm
Material and Color of Enclosure	ABS, red
Weight	About 313g(with base)
Mounting Hole Distance	65mm

Ordering Information and Compatible Products

Part No.	C-9317
Device Name	Emergency Gas Override Control
Product No.	10100597
Compatible Products	GST301 Gas Release Control Panel GST303 Gas Extinguishing Control Panel GST306 Gas Extinguishing Control Panel